

DATE \_\_\_\_\_ PROJECT \_\_\_\_\_ TYPE \_\_\_\_\_ QUANTITY \_\_\_\_\_

# High Performance Aimable Asymmetric LED Luminaire



## FEATURES

- Constant current luminaire
- Integral Driver
- Field built framing system
- Adjustable to 90° in 5° increments
- Plug & play power connection
- CRI 85+

### FIXTURE COMPONENTS INCLUDED:

i400 Fixture only, integral driver

### FIXTURE COMPONENTS REQUIRED:

10' Primary feed cable

## CONSTRUCTION

- Extruded aluminum LED luminaire body with locking adjustment control
- Proprietary injection molded optics feature optimal transmission (92%)
- Extruded aluminum housing with satin anodized finish

## ELECTRIC

- Line voltage luminaires powered with 120 – 277V AC
- Wire up to 10 fixtures (any length) in series

## ORDERING

i400						
PRODUCT	POWER	LENGTH	LED COLOR	OPTICS	CONTROL	ACCESSORIES
<b>i400</b> High Performance Aimable Asymmetric LED Luminaire	<b>07</b> 7.6 watts /linear ft	<b>22</b> 22¾" actual	<b>W2</b> 2700K	<b>A</b> Narrow Asymmetric	<b>ND</b> Non-Dim	<b>WL</b> White 45° Louver
	<b>10</b> 10.5 watts /linear ft <sup>1</sup>	<b>33</b> 33¾" actual	<b>W3</b> 3000K		<b>W</b> Wide Asymmetric <sup>3</sup>	
		<b>44</b> 44¾" actual	<b>W35</b> 3500K	<b>S</b> Lutron ECO 1% Soft On Fade To Black PEQ1 <sup>4</sup>		
		<b>66</b> 66¾" actual <sup>2</sup>	<b>W4</b> 4000K			<b>Lo</b> Lutron Hi-Lume 1% EcoSystem with Soft On, Fade to Black LDE1 <sup>4</sup>
	<b>88</b> 88¾" actual <sup>2</sup>		<b>T</b> Lutron Hi-Lume 1% 120V 2-Wire LTEA <sup>4</sup>	<b>EM</b> Emergency battery pack (consult factory) <b>EM-C</b> Emergency circuit wiring (consult factory)		
<sup>1</sup> High Power driven at 9.8 watts/linear foot for Lutron drivers	<sup>2</sup> Consult factory for availability	<sup>3</sup> Consult Factory for Availability	<b>LD</b> 5-series EcoSystem LED driver LDE5 <sup>4</sup>			
<b>ADDITIONAL COMPONENTS</b>						
SPECIFY QUANTITIES						
<b>LFC-i400-10</b> 10' Primary feed cable	<b>JC-i400-60</b> 5' Jumper Cable for end to end feed	<b>JC-i400-COILED</b> 12" Coiled Jumper Cable	<b>JC-i400-6</b> 6' Jumper Cable			
				<sup>4</sup> 4ft max length for Lutron drivers		

## RATINGS & CERTIFICATION

- cETLus Listed
- Made in the USA
- Average rated LED life of 50,000 hours @ 70% lumen output



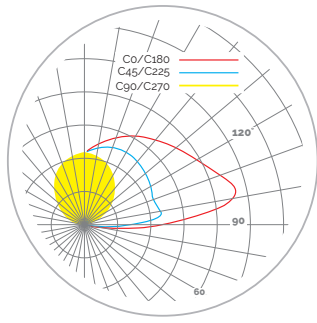
## LUMEN OUTPUT

STANDARD	770 Lm/ft	7.6 W/ft	101 Lm/w
<b>HIGH</b>	1060 Lm/ft	10.5 W/ft	101 Lm/w

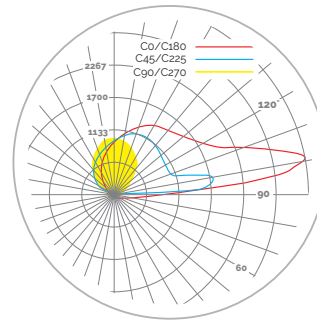
## WARRANTY 5 Year warranty

visit [electrixillumination.com](http://electrixillumination.com) for details

# PHOTOMETRY



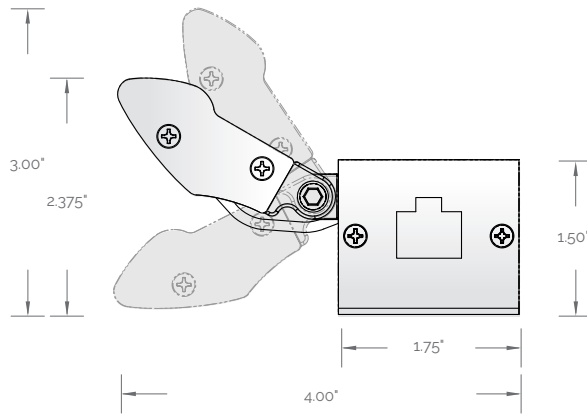
7.6W Asymmetric



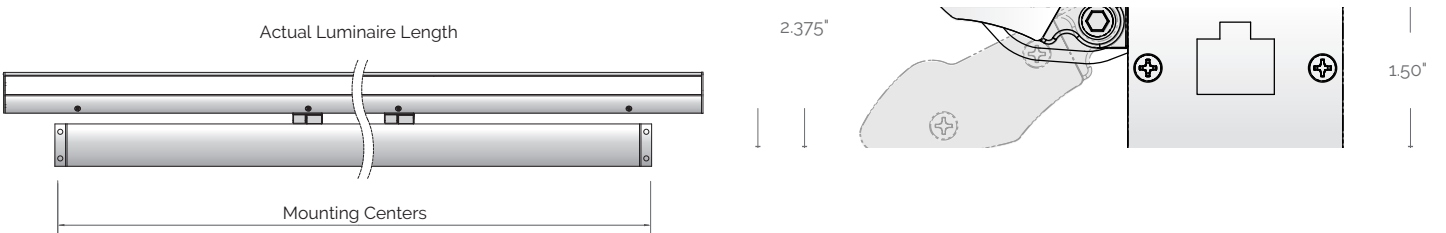
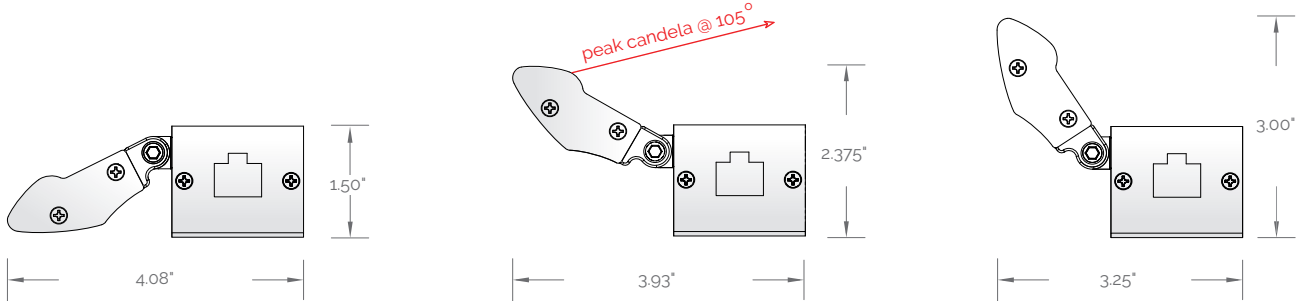
10.5W Asymmetric

IES data available on electrix website [electrixillumination.com](http://electrixillumination.com)

# DIMENSIONS



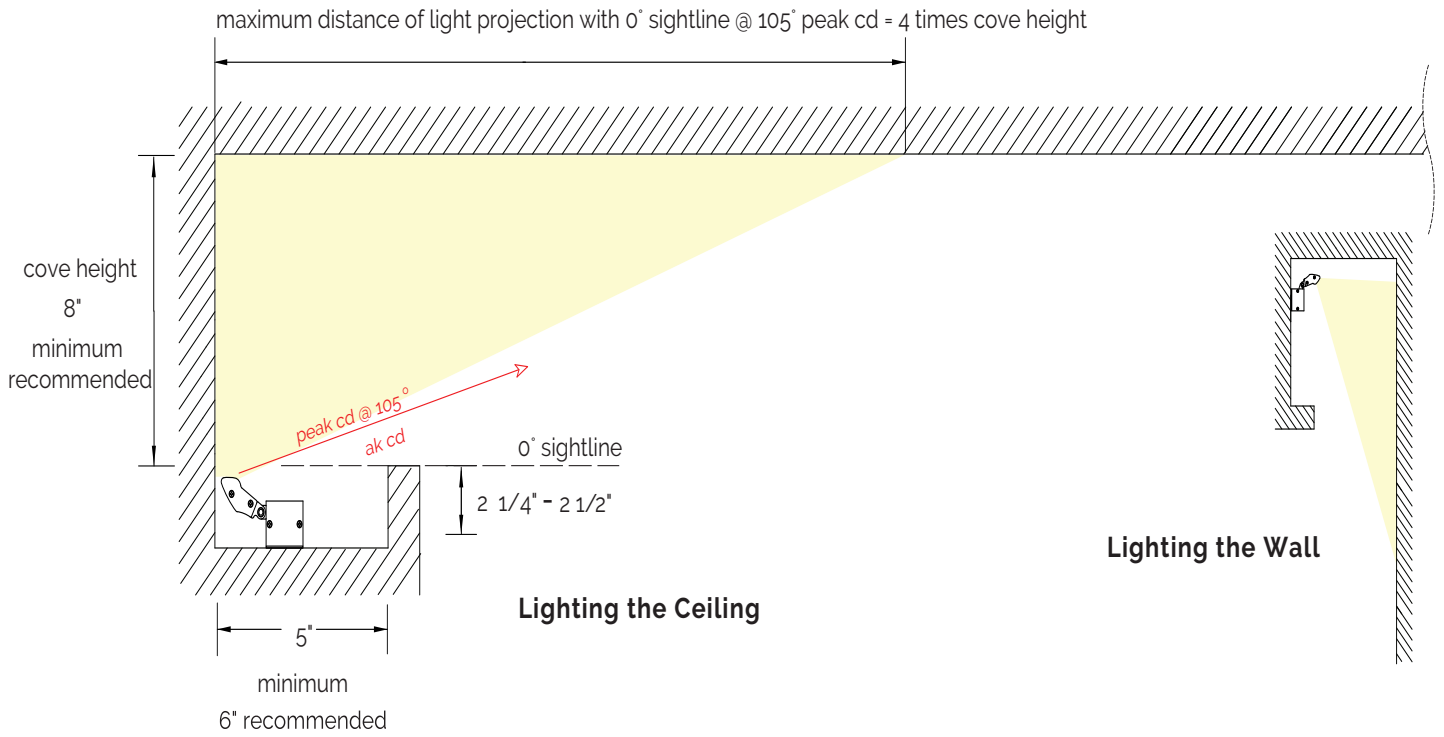
(projected optimal distribution yield)



## Elevation

Nominal Length	2FT	3FT	4FT	6FT	7FT
Actual Luminaire Length	22.25"	33.25"	44.25"	66.25"	88.25"
Mounting Center	19.25"	27.875"	38.875"	60.875"	82.875"

## APPLICATIONS



## CABLES

(Cable accessories to be ordered separately)

### LEADER FEED CABLE (REQUIRED)

**LFC-i400-10** 10 ft. primary feed cable

### JUMPER CABLES (OPTIONAL)

**JC-i400-60** 5' jumper cable for end to end feed

**JC-i400-COILED** 12" coiled jumper cable

**JC-i400-6** 6" Jumper Cable

