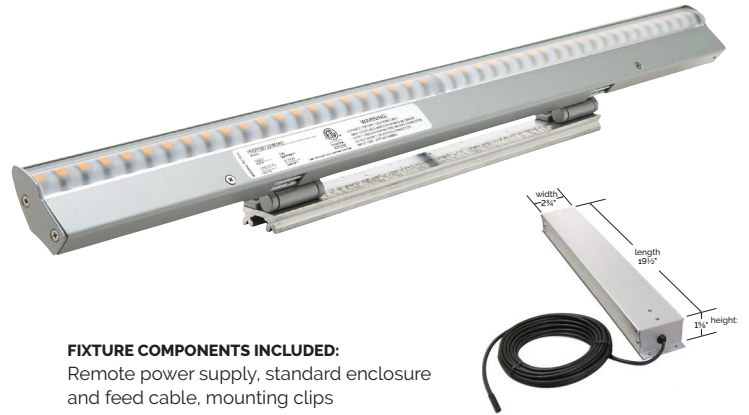


DATE _____ PROJECT _____ TYPE _____ QUANTITY _____

Low Profile Aimable Asymmetric LED Luminaire

FEATURES

- Constant current luminaire
- Remote power supply
- Adjustable to 90° in 5° increments
- Field built framing system
- Plug & play power connection
- CRI 85+



FIXTURE COMPONENTS INCLUDED:
Remote power supply, standard enclosure and feed cable, mounting clips

CONSTRUCTION

- Extruded aluminum housing
- Injection molded optics with 92% transmission
- Satin anodized finish

ELECTRICAL

- Input voltage: 120V–277V AC output voltage: 38V DC
- Standard maximum remote driver distance is 32'
- Lutron Driver maximum remote driver distance is 12'

ORDERING

PRODUCT	POWER	LENGTH	LED COLOR	OPTICS	CONTROL	ACCESSORIES
i400RS Low Profile Aimable Asymmetric LED Luminaire	07 7.6 watts / linear ft 10 10.5 watts / linear ft ¹	22 22 3/4" actual 33 33 3/4" actual 44 44 3/4" actual	W2 2700K W3 3000K W35 3500K W4 4000K	A Narrow Asymmetric W Wide Asymmetric ²	ND Non-Dim D 1%, 0-10V Dim S Lutron ECO 1% Soft on, Fade to Black PEQ1 ³ Lo Lutron Hi-Lume 1% EcoSystem w/Soft On, Fade to Black LDE1 ³ T Lutron Hi-Lume 1% 24V 2-Wire (120V phase forward) LTEA ³ Po Hi-lume Premier 0.1% EcoSystem 24V LED w/ Soft On, Fade to Black PEQ0 ³ LD 5-series EcoSystem LED LDE5 ³	WL White 45° Louver EM Emergency battery pack (consult factory) EM-C Emergency circuit wiring (consult factory)
	¹ High Power driven at 9.8 watts / linear foot for Lutron drivers			² Consult Factory for Availability	³ 4ft max length for Lutron drivers	

RATINGS & CERTIFICATION

- cETLus Listed, IP67 rated
- Made in the USA
- Average rated LED life of 50,000 hours @ 70% lumen output



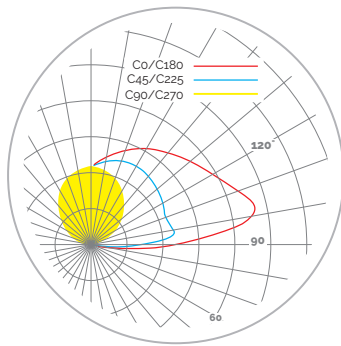
LUMEN OUTPUT

STANDARD	770 Lm/ft	7.6 W/ft	101 Lm/w
HIGH	1060 Lm/ft	10.5 W/ft	101 Lm/w

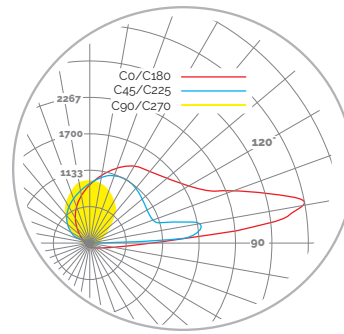
WARRANTY 5 Year warranty

visit electrixillumination.com for details

PHOTOMETRY



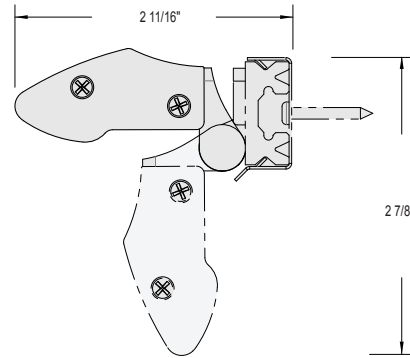
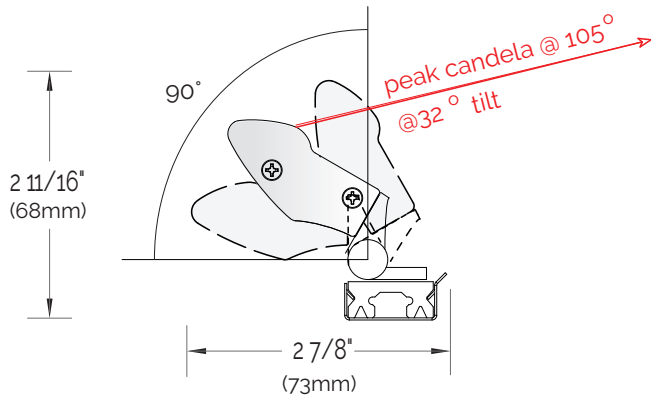
7.6W Narrow Asymmetric



10.5W Wide Asymmetric

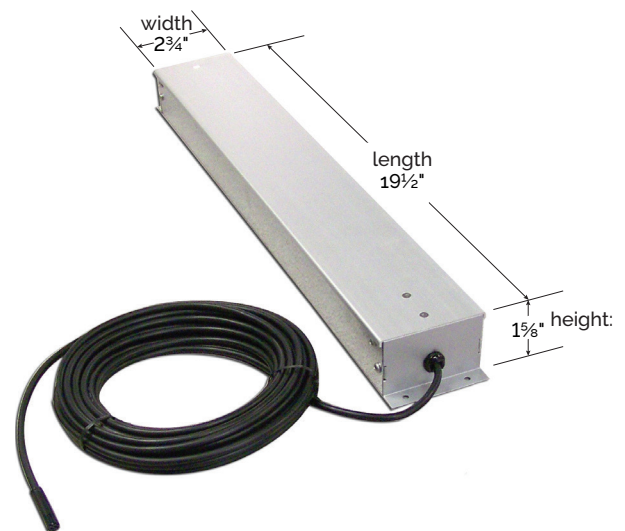
IES data available on electrix website electrixillumination.com

DIMENSIONS



LED POWER SUPPLY

- 32' max remote driver length (for dim/non-dim drivers)
- 12' max remote driver length (for Lutron drivers)
- Input voltage: 120V-277V AC output voltage: 38V DC
- Standard maximum remote driver distance is 32'³
- Lutron Driver maximum remote driver distance is 12'
- Dimming driver requires a 0-10V control interface (by others⁴)
- Driver wattage is determined by fixture length
- Standard enclosure supplied is 19½" L x 2¾" W x 1⅝" H



CABLES

LEADER FEED CABLES (ONE SUPPLIED WITH FIXTURE)

- 32' leader feed cable for dim/non dim drivers
- 12' leader feed cable for Lutron drivers

³ The remote mounting distance may be exceeded. However, precautions for site condition of electromagnetic interference (EMI) and voltage drop must be considered.

⁴ Contact the factory for dimming wire diagram