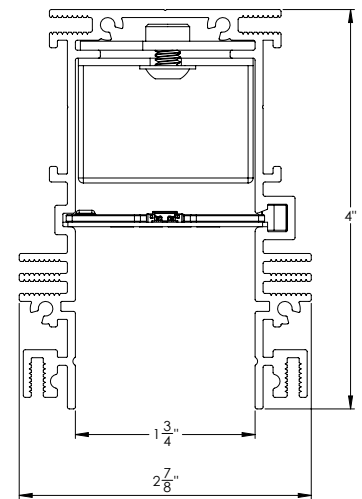


MagneConnect Recessed Power Track Housing

MagneConnect is a revolutionary all-in-one slot power delivery system. Express your creativity by dynamically repositioning every light fixture to personalize your lighting design.

FEATURES

- Integral and accessible driver and through wiring
- Fits standard 2"x4" or 2"x6" construction
- Accommodates 1/2" or 5/8" gypsum board
- Mud in flange standard — Consult factory for overlap trims
- Standard lengths available in 8', 4' and 2' — Consult factory for custom lengths
- 12.5 Watt per linear foot configuration standard
- Efficient compatible lighting modules include: luminous bands, adjustable spot lights, and pendants



MC-RPT

ORDERING GUIDE

MC-RPT				
PRODUCT	FINISH	POWER LEVEL	TRACK LENGTH	CONTROL
MAGNECONNECT Recessed Power Track Housing	B Black W White	12 12W/linear ft	8 8' Powered Section 4 4' Powered Section 2 2' Powered Section	ND Non-Dim D 1% 0-10V

MC-RUH		
PRODUCT	FINISH	TRACK LENGTH
MAGNECONNECT Recessed Unpowered Housing	B Black W White	2U 2' Unpowered Section SK Sectionalized Finishing Kit

CONSTRUCTION

- Extruded aluminum recessed slot housing
- 1¾" wide opening x 4" high nominal recess depth
- Mud flange included in all recessed, standard packages, and screws onto main extrusion
- Backer flange adjustable for ½" or ⅝" gypsum board
- Consult factory for custom configurations

ELECTRICAL

- 120-277V universal power supply
- 24V, class 2 power delivery track
- System includes feed through wiring

OPTIONS

- Consult factory for battery back up power supply

COMPLIANCE

- cETL listed for dry and damp locations

PERFORMANCE

- 12 W/ft configurations standard

LENGTHS AND MOUNTING

- 96", 48", or 24" straight fixed lengths standard
- Sectionalized kits available for field customizable run lengths
- 2' unpowered corner section available. Consult factory

LEDS

- 90CRI (3-step MacAdam) LED lighting fixtures specified and sold separately

FINISHES

- Recessed housing available in either black or white powder coat finish

WARRANTY

- 3-year limited warranty. Complete warranty terms available at ElectrixIllumination.com

RECESSED HOUSING COMPONENTS

8' CASE OF STRAIGHT POWER TRACK HOUSING

- Wall or ceiling use
- High Power; 96 Watts, 1 Amp - 12 W/ft
- System includes feed through wiring
- Includes link brackets, mounting brackets, feed through wiring, backer flange, PVC mud flange, driver, and 2 end caps

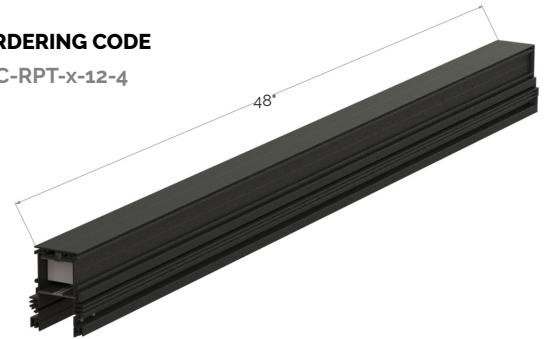
ORDERING CODE
MC-RPT-x-12-8



4' STRAIGHT POWER TRACK HOUSING

- Wall or ceiling use
- High Power; 50 Watts, .5 Amp - 12 W/ft
- System includes feed through wiring
- Includes link brackets, mounting brackets, feed through wiring, backer flange, PVC mud flange, driver, and one end cap

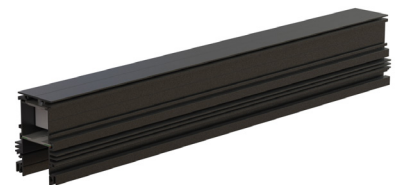
ORDERING CODE
MC-RPT-x-12-4



2' STRAIGHT POWER TRACK HOUSING

- Wall or ceiling use
- 25 Watts, .5 Amp - 12W/ft
- Feed through wiring
- Includes link brackets, mounting brackets, feed through wiring, backer flange, PVC mud flange, driver, and one end cap

ORDERING CODE
MC-RPT-x-12-2

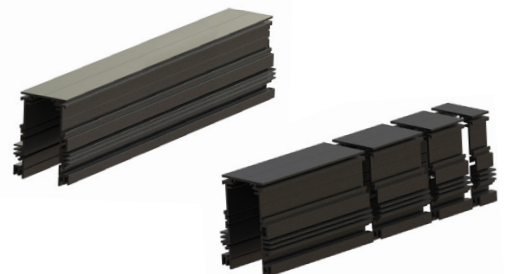


2' UNPOWERED HOUSING SECTIONS

- Unpowered 2' straight section or sectionalized finishing kit available with through wiring
- Wall or ceiling Use
- Sectionalized kit is pre-cut in sections: 1'; 6"; 3"; 2"; 1"
- Includes link brackets, mounting brackets, feed through wiring, backer flange, PVC mud flange, and one end cap

ORDERING CODE

MC-RUH-x-2U 2' Unpowered Housing
MC-RUH-x-SK 2' Sectionalized Finishing Kit



MC-RPT

COMPATIBLE FIXTURES

Magnetic LED Luminaires Specified Separately

• See individual luminaire specification sheets for complete product information



CYLINDER

Efficient Cylinder Track Head
LED Luminaire

MC-CTH

- 1200 lumens; 15 W; 80 lm/W
- Distribution Options: 18°, 28°, or 47°
- Choice of black or white fixture color

DESCEND

Suspended Pendant LED Luminaire

MC-DC3

- 1200 lumens; 15 W; 80 lm/W
- Distribution Options: 18°, 28°, or 47°
- Choice of black or white fixture color



LINE

Linear Symmetric LED Luminaire

MC-L

- Available in 12" or 24"
- Removable end caps for continuous runs
- 800 lm/ft; 10 W/ft; 80 lm/W



POINT

Monopoint Accent LED Luminaire

MC-P

- Even reveal when fixtures placed adjacent to one another
- 160 lumens; 1.6W; 100 lm/W
- Distribution Options: 15°, 30°, and 57°

LUMINAIRES ORDERING GUIDE

CYLINDER TRACK HEAD QTY:

MC-CTH			
---------------	--	--	--

PRODUCT	FINISH	LED COLOR	DISTRIBUTION
MC-CTH MagneConnect Cylinder Track Head	B Black	27 2700K	18 18°
	W White	30 3000K	28 28°
		35 3500K	47 47°

DESCEND PENDANT QTY:

MC-DC3			
---------------	--	--	--

PRODUCT	FINISH	LED COLOR	DISTRIBUTION
MC-DC3 MagneConnect Descend Pendant	B Black	27 2700K	18 18°
	W White	30 3000K	28 28°
		35 3500K	47 47°

LINE LUMINAIRE QTY:

MC-L		
-------------	--	--

PRODUCT	LENGTH	LED COLOR
MC-L MagneConnect Line Symmetric Luminaire	12 12" actual	27 2700K
	24 24" actual	30 3000K
		35 3500K

POINT LUMINAIRE QTY:

MC-P		
-------------	--	--

PRODUCT	LED COLOR	DISTRIBUTION
MC-P MagneConnect Monopoint Accent Luminaire	27 2700K	18 18°
	30 3000K	28 28°
	35 3500K	57 57°

MAGNECONNECT