

DATE \_\_\_\_\_ PROJECT \_\_\_\_\_ TYPE \_\_\_\_\_ QUANTITY \_\_\_\_\_

## LumiLine Low Profile In-Grade Paver LED Luminaire

### FEATURES

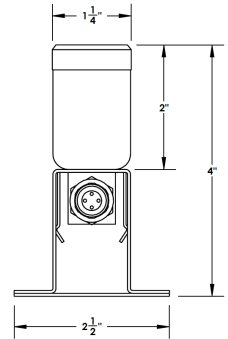
- Constant voltage luminaire
- Remote power supply
- No drainage required for installation
- 80+ CRI

### FIXTURE COMPONENTS:

L126w fixture only, in-grade framing, end of run cap

### FIXTURE COMPONENTS REQUIRED (SOLD SEPARATELY):

96W Power Supply (non-dimming, 10% dimming or DMX)  
Feeder and jumper cords



### CONSTRUCTION

- Formed stainless steel housing with tempered glass diffuser lens.
- Stainless steel modular framing channels pre-install for easy coordination with onsite stone and masonry work.

### ELECTRICAL

- Input voltage: 120V-277V AC output voltage: 24V DC
- Wattage Output: 1W (min) to 96W (max)
- Wattage output: three(3) 96W channels
- Maximum remote driver distance is 32'

### ORDERING

L126W	L	F	00	00		
PRODUCT	OUTPUT	LENGTH	MOUNTING	FINISH	OPTION	LED COLOR
<b>L126W</b> LumiLine Low Profile In-Grade Paver Light	<b>L</b> Low 2.2 watts /linear ft	<b>12</b> 12 1/4" actual <b>32</b> 32' actual	<b>F</b> In-Grade/Flush	<b>00</b> Stainless steel housing and recessed mounting frame	<b>00</b> No options	<b>830</b> 3000K White <b>835</b> 3500K White <b>840</b> 4000K White

F/, #L  
/, L 'edl Zg  
hj eeā [dg  
I Zi 'āXVi 'dch'

L Low  
2.2 watts  
/linear ft

### ADDITIONAL COMPONENTS

SPECIFY QUANTITIES

PS96-W # && # C # #

I I NB; <D? > KE BI 7=; :; H9

F/, #L && C &3; I B'  
/, L 'edl Zg i iVcYVg' ' (&#(- - K [dgJ \$ \$  
hj eeā [dg < c h] @3; I B'  
I Zi 'āXVi 'dch' [dgJ \$ \$

LFC-126w-32-0-A

32ft leader feed cable with straight connector

JC-L126-36

36in jumper cable

### RATINGS & CERTIFICATION

- cETLus Listed for wet locations, IP67 Rated
- Made in the USA
- Average rated LED life of 50,000 hours @ 70% lumen output



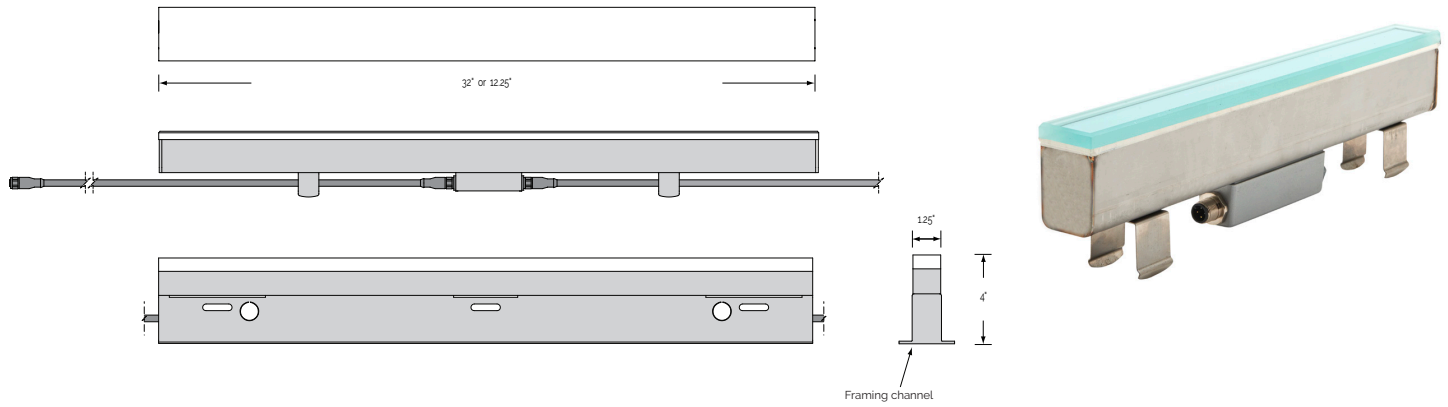
### LUMEN OUTPUT

STANDARD	198 Lm/ft	2.2 W/ft	90 Lm/W
----------	-----------	----------	---------

### WARRANTY 3 Year warranty

visit [thelightingquotient.com](http://thelightingquotient.com) for details

## DIMENTIONALS



## CABLES AND ACCESORIES

### LEADER FEED CABLE (ONE REQUIRED FOR LED FEED)

**LFC-126W-32-0-A** 32ft Leader Feed Cable. Straight connector

### JUMPER CABLE (OPTIONAL)

**JC-L126-36** 36in Jumper Cable  
End of run cap (supplied with fixture)



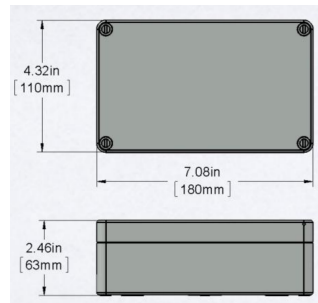
## LED POWER SUPPLY - WET LOCATION

### 96W MAX POWER SUPPLY MODEL: PS96-W or PS96DMX-W

- Wattage Output: 1W (min) to 96W (max)
- Input voltage: 120V-277V AC output voltage: 24V DC
- **Non-dimming** or **DMX** for RGB
- Maximum remote driver distance is 32'.<sup>1</sup>
- Drivers supplied with 6" input/output leads
- IP67 rating for wet locations
- Wet rated conduit and connectors by others

#### PS96-W Non-dimming

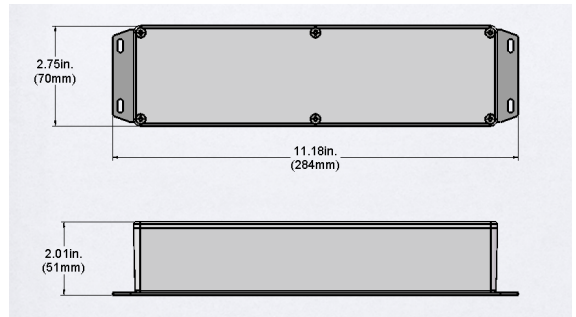
#### PS96DMX-W Non-dimming



### 96W MAX POWER SUPPLY MODEL: PS96D-W

- Wattage Output: 1W (min) to 96W (max)
- Input voltage: 120V-277V AC output voltage: 24V DC
- **10% dimming**
- Maximum remote driver distance is 32'.<sup>1</sup>
- Drivers supplied with 6" input/output leads
- IP67 rating for wet locations
- Wet rated conduit and connectors by others

#### PS96D-W 10% dimming



<sup>1</sup> The remote mounting distance may be exceeded. However, precaution for site condition of electromagnetic interference (EMI) and voltage drop must be considered.