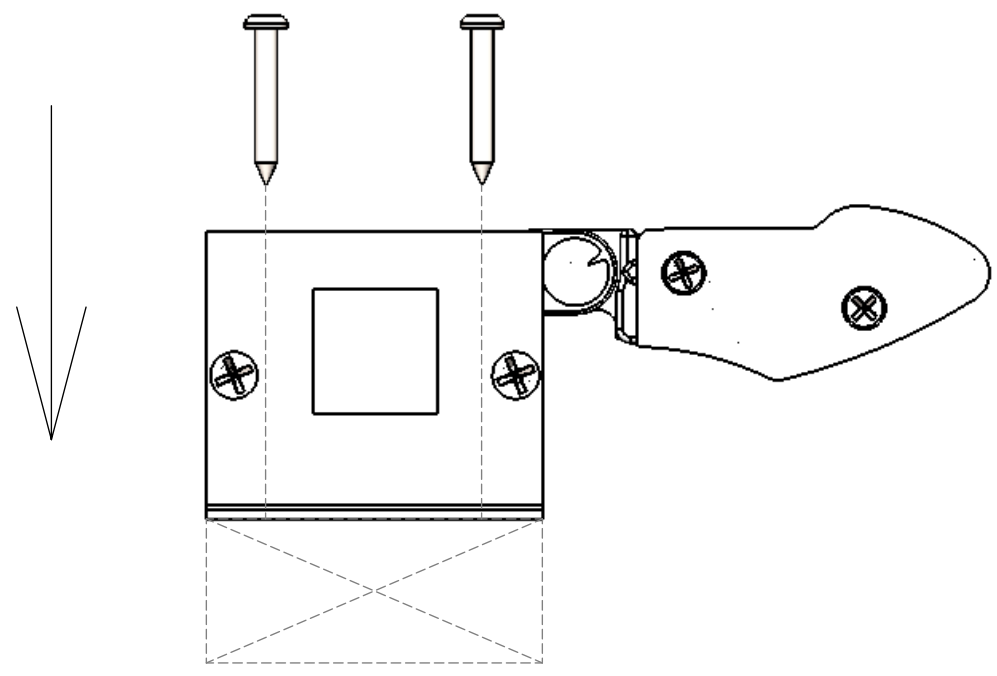
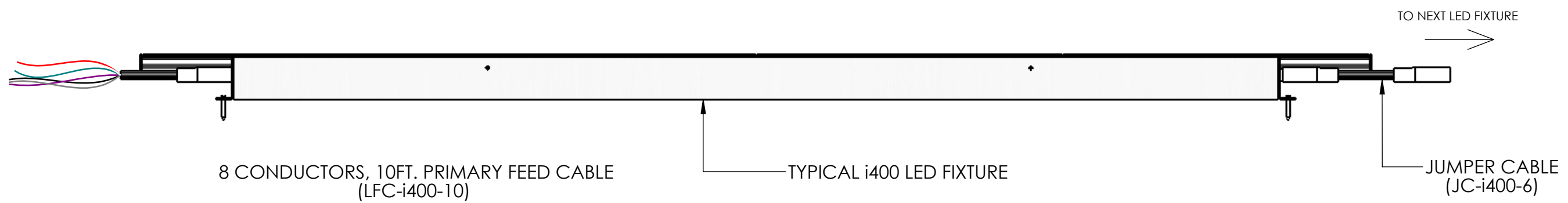
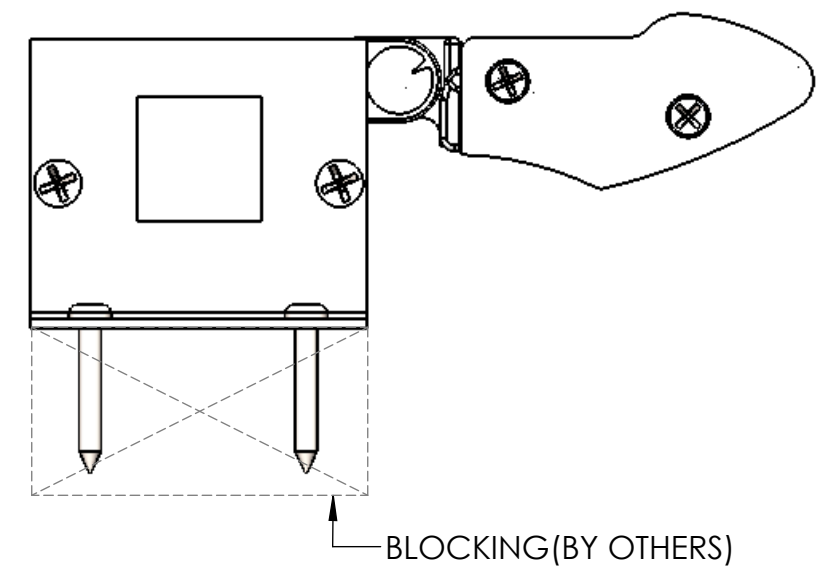


8 7 6 5 4 3 2 1

1.



2.



**LEAD WIRE COLOR CONFIGURATION**

- PIN#1  BLACK (HOT)
- PIN#2  WHITE (NEUTRAL)
- PIN#3  GREEN (GROUND)
- PIN#4  ORANGE (POSITIVE)
- PIN#5  BLUE (NEGATIVE)
- PIN#6  RED (AUXILIARY)
- PIN#7  YELLOW (AUXILIARY)
- PIN#8  BROWN (AUXILIARY)

NOTE:  
 1. THE INSTALLER IS RESPONSIBLE FOR PROPER INSTALLATION. THESE FIXTURES MUST BE INSTALLED BY A LICENSED ELECTRICIAN IN ACCORDANCE WITH THE NATIONAL ELECTRIC CODE AND RELEVANT LOCAL CODES



**PROPRIETARY AND CONFIDENTIAL**

THE INFORMATION CONTAINED IN THIS DRAWING IS THE SOLE PROPERTY OF ELECTRIX LLC. ANY REPRODUCTION IN PART OR AS A WHOLE WITHOUT THE WRITTEN PERMISSION OF ELECTRIX, LLC IS PROHIBITED.

UNLESS OTHERWISE SPECIFIED:		NAME	DATE	45 Spring St., New Haven, CT. 06519 USA Ph: (203) 776-5577    Fax: (203) 624-7545	
DIMENSIONS ARE IN INCHES		DRAWN	DB		TITLE: <b>TYPICAL INSTALLATION (i400)</b>
TOLERANCES:		CHECKED			
FRACTIONAL ± 1/32		ENG APPR.	AAA		SIZE DWG. NO. REV <b>B</b> SUB 1045
ANGULAR: MACH ± 1/2° BEND ± TWO PLACE DECIMAL ± .03		MFG APPR.			
THREE PLACE DECIMAL ± .032		Q.A.			
INTERPRET GEOMETRIC TOLERANCING PER:		COMMENTS:			
MATERIAL					
FINISH					
NEXT ASSY	USED ON				
APPLICATION					

**DO NOT SCALE DRAWING**

8 7 6 5 4 3 2 1